

THIS DRAWING IS UNPUBLISHED. RELEASED FOR PUBLICATION ,1995
 © COPYRIGHT 1995 ALL RIGHTS RESERVED.

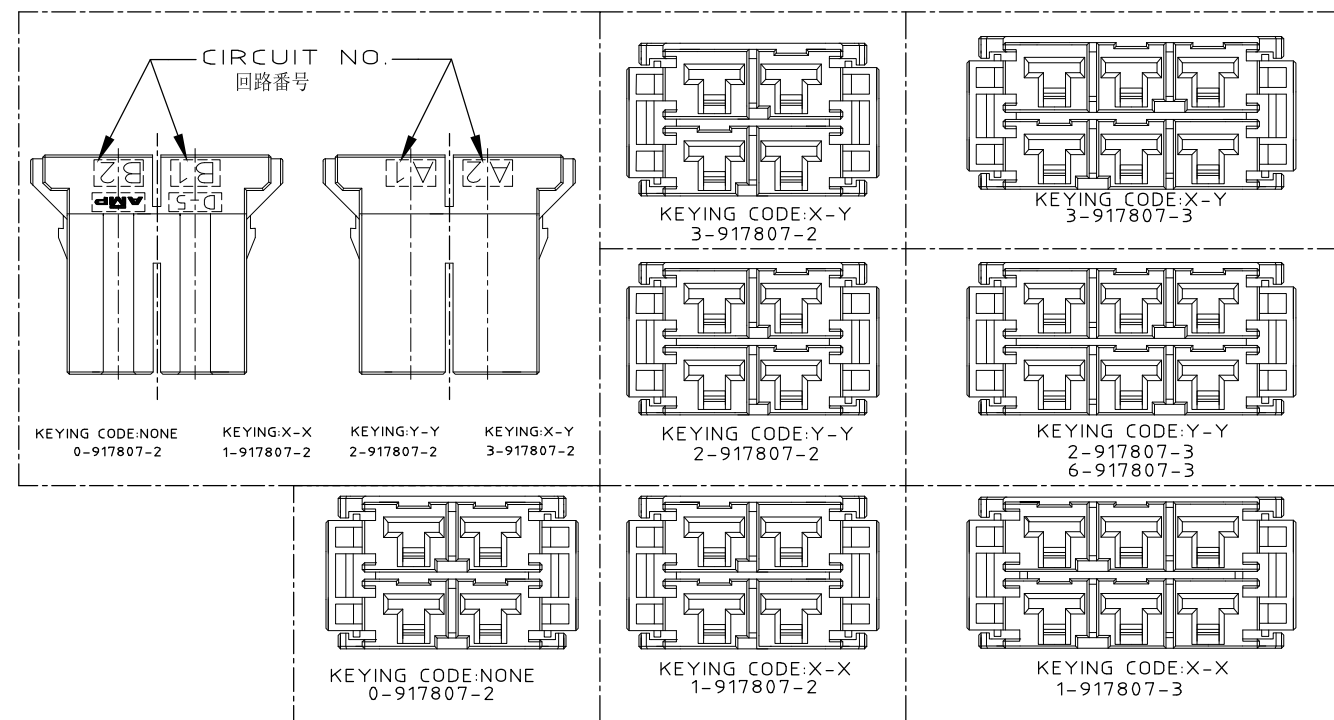
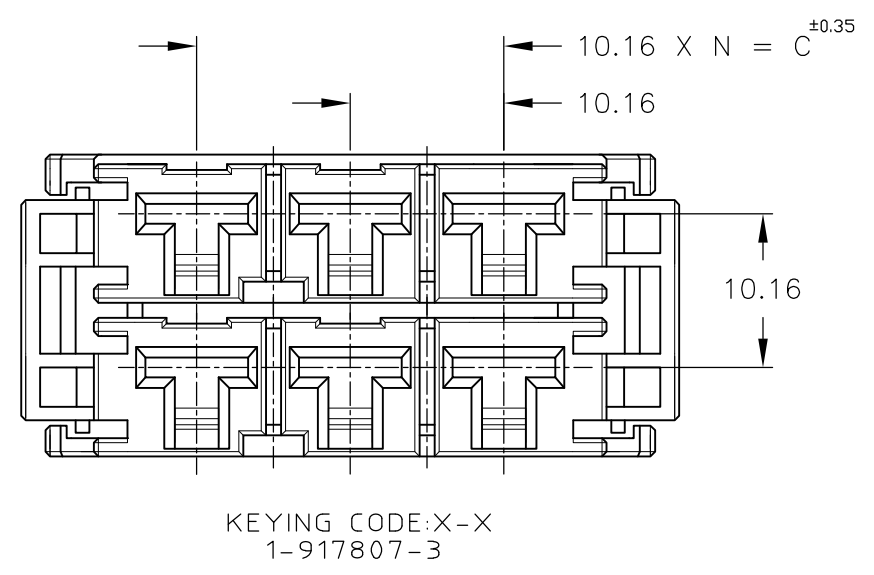
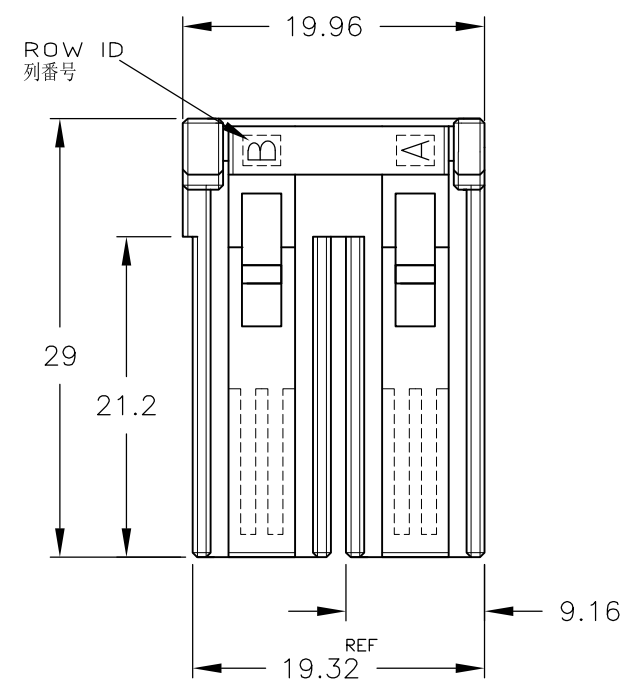
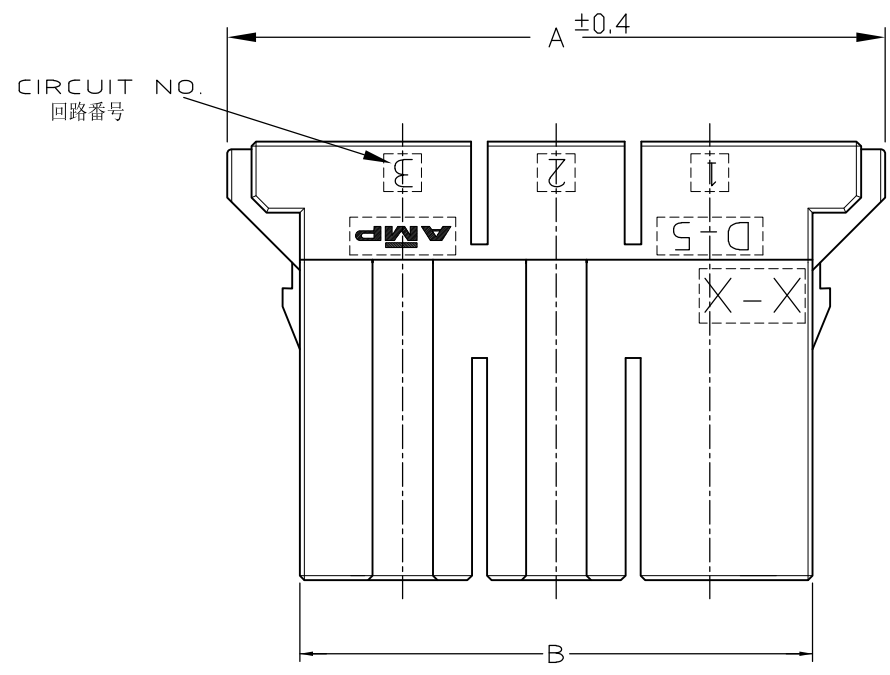
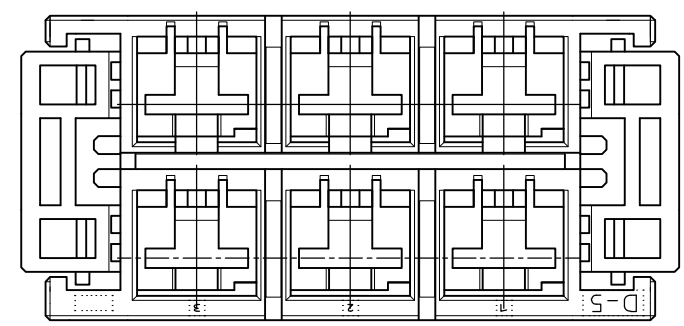
LOC		DIST		REVISIONS		
P	LTR	DESCRIPTION		DATE	DWN	APVD
	D	REVISED PER ECR-16-008312		08JUN16	K.K	E.T

注記

- ① 材料 ハウジングガラス入り熱可塑性
ポリエステル樹脂(94V-0),色黒
- ② ~~ハウジング全面にテフロン塗装のこと~~

NOTES

- ① MATERIAL:HOUSING:GLASS FILED THERMO PLASTIC
POLYESTER(94V-0),COLOR:BLACK
- ② ~~TO COAT ALL SURFACE OF HOUSING WITH TEFLON~~



OBSOLETE		YELLOW	20.32	33.92	43.52	2	6	6-917807-3
		BLACK						5-917807-3
		BLACK						3-917807-3
OBSOLETE		BLACK						2-917807-3
		BLACK	20.32	33.92	43.52	2	6	1-917807-3
		BLACK						6-917807-2
OBSOLETE							5-917807-2	
		BLACK						3-917807-2
		BLACK						2-917807-2
		BLACK						1-917807-2
		BLACK	10.16	23.76	33.36	1	4	0-917807-2
FINISH	COLOR	C	B	A	N	POS	P/N	

WIRE RANGE 抱合電線断面積 INSULATION DIA 被覆外径

DWN K.IKEDA 31/OCT/'95			
CHK Y.ISHIKAWA 31/OCT/'95			
APVD S.MANABE 1/NOV/'95		NAME 2列リセハウジング	
PRODUCT SPEC 製品規格 108-5453		DOUBLE ROW REC HSG	
APPLICATION SPEC 取付適用規格 114-5206		<DYNAMIC D-5200 M>	
WEIGHT T1		SIZE A3	CAGE CODE 00779
CUSTOMER DRAWING		DRAWING NO 917807	
		SCALE 2-1	SHEET 1 OF 1
		REV D	